

# Optyx® for Potato Chips

## Featuring Full Color Sorting!

Potato chip manufacturers have the unique challenge of needing to sort a wide range of color defects -- without losing good product. Optyx® brings intelligent optical inspection to smaller-volume lines. Advantages begin with the smaller price tag, smaller footprint, an extraordinarily short payback time -- and now, a full color sorting solution for potato chips.

Optyx means that powerful, automated inspection is no longer exclusive to large-scale food processors. For almost two decades, Key sorters have been at work around the world -- scanning product with cameras so advanced they recognize size and shape, as well as millions of subtle color differences that pass undetected by human monitors.



Key's image processors and intelligent ejectors target defective pieces with surgically precise air pulses and cleanly remove them from the product stream -- in milliseconds. Now Key has paired the camera, lighting, image processing, and ejection technologies used in our renowned Tegra® and Prism® systems for the new, economical, compact Optyx.



## Optyx Includes:

- The latest full-color optical technology
- Ultra-high resolution imaging
- Unitary system: no external modules
- Simple user interface
- Maintenance-friendly design

## Optyx Delivers:

- Quality: Sees and removes defects the others miss, including green
- High Yield: Pack more product than ever before
- Capacity: over 2500 lbs (1100 kg.) per hour. For higher volume applications, Prism™ sorting system is the solution
- Small Footprint: a tiny 3 1/2' X 9 1/4' (1.0 X 2.8m)
- Reliability: Field-Proven Technology
- Value: Call for a quote!

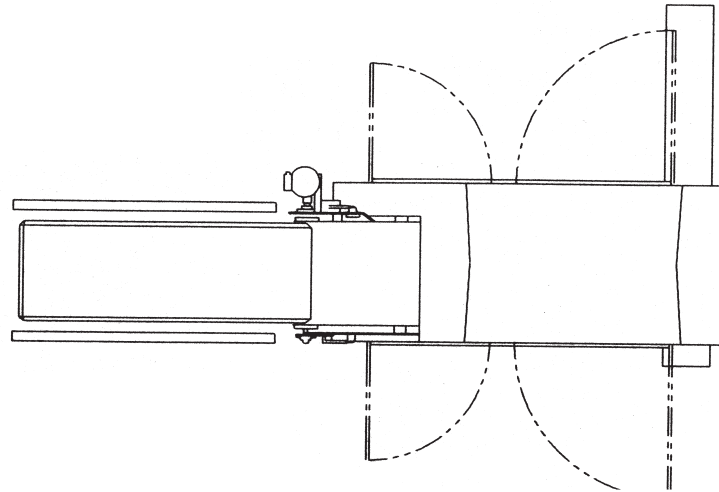


**Key Technology**

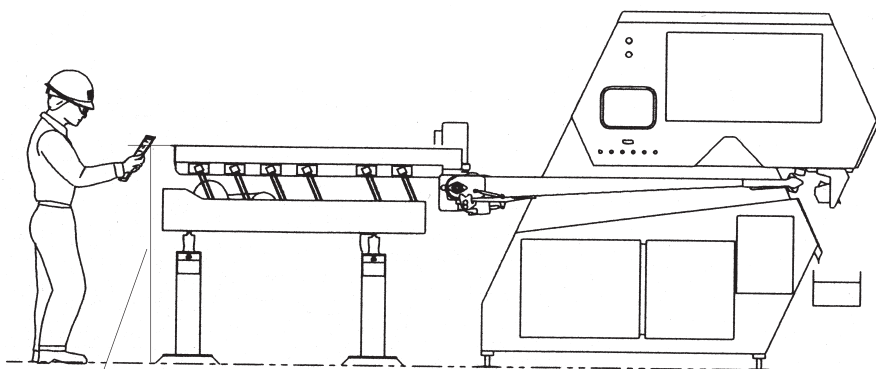
150 Avery Street • Walla Walla, WA 99362 • USA

Phone: 509.529.2161 • Fax: 509.527.1331 • [product.info@key.net](mailto:product.info@key.net) • [www.key.net](http://www.key.net)





5000 mm (16 feet)



1500 mm (5 feet)  
+/- 150 mm (6 inches)

1300 mm (4 feet)

Discharge